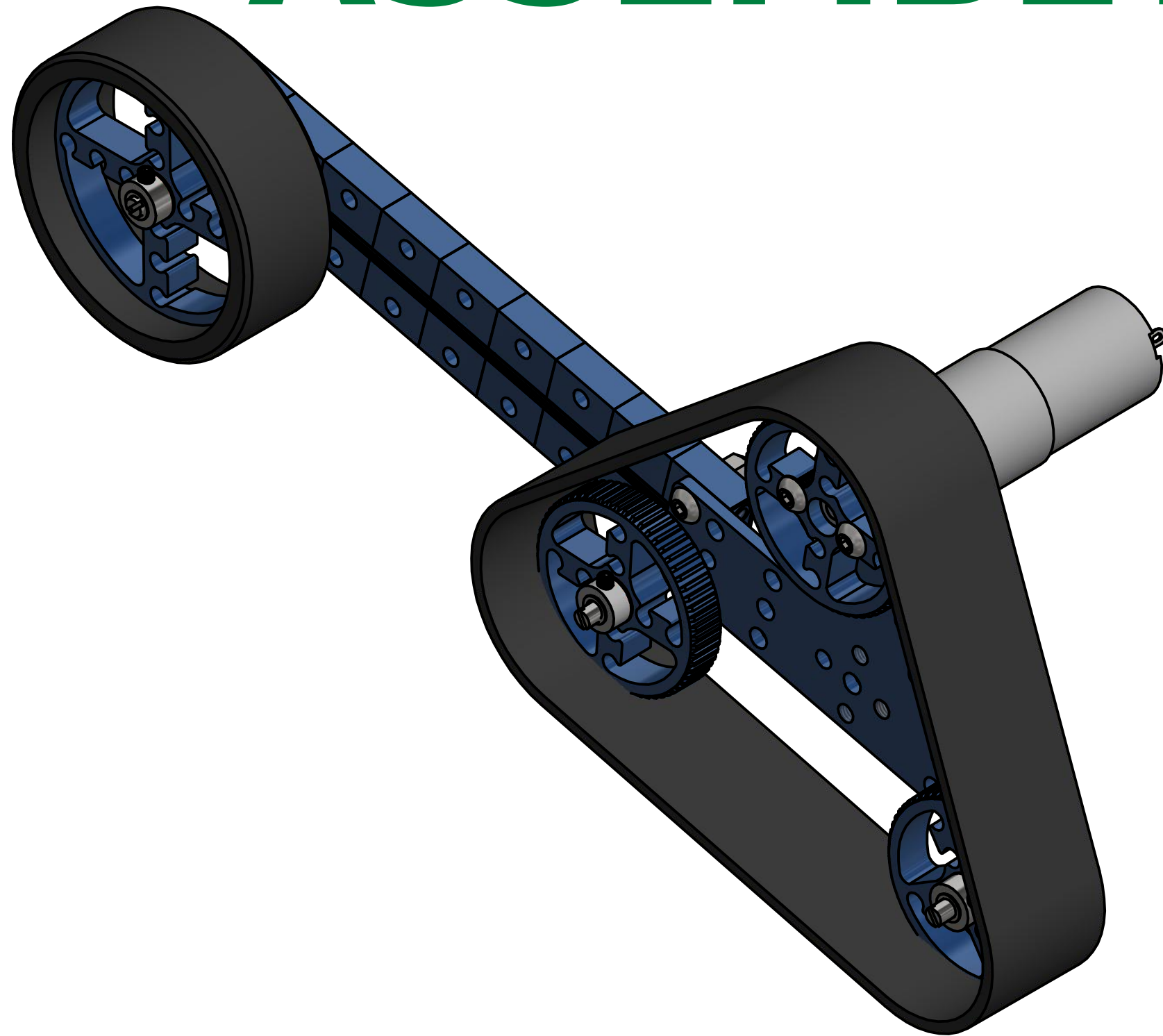


ASSEMBLY A



PARTS LIST		
ITEM	QTY	MakeBlock Descriptor
2	3	M4x14mmScrew
4	4	NylonLockNut4mm
6	16	Plastic Spacer 4x8x1
8	3	Shaft Collar 4mm
9	1	Shaft Connector 4mm
10	4	Headless Set Screw M3x5
11	6	Flange Copper Sleeve 4x8x3mm
12	3	Threaded Shaft 4 x 39mm
15	3	Timing Pulley 62T
16	1	DC Motor-25 99V/185 RPM
18	1	Tire 68.5x22mm
24	1	Plate T-type
25	1	Beam0824-144
27	16	Track with Track Axle



Ohio Soybean Farmers
Sustaining Life. Respecting Nature.



**GROW
NEXT GEN**